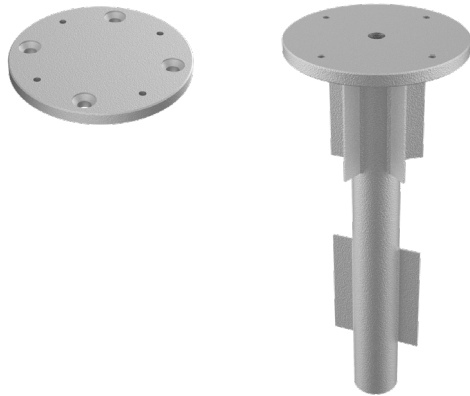


# MOUNT KIT

## SERIES



---

## TABLE OF CONTENTS

---

	Page No.
Parts List	2
MKC23 Concrete Mount Instructions	3
MKG23 In-Ground Mount Instructions	6
Safety and Precautions	8
Warranty	9

**Please read this entire manual before installation.**

Thank you for purchasing Shademaker's Mount Kit. Please remove all contents from packaging, inspect and review parts list.

*Some parts may be included in the Styrofoam packaging. Do not discard any packaging or box until assembly is complete.*

---

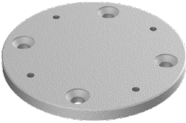
## PARTS LIST

---

### MKC23 | Concrete Mount Kit - Page 3

- A - (1) Adapter Plate
- B - (4) Expansion Bolts
- C - (1) 6mm Hexagon Wrench

A



B



C

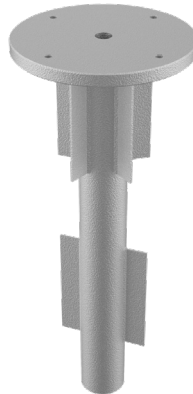


---

### MKG23 | In-Ground Mount Kit - Page 6

- A - (1) In-Ground Fitting

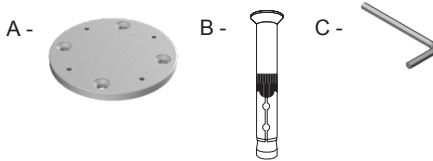
A -



# MKC23 | CONCRETE MOUNT KIT

Concrete Mount Kit includes:

- A - (1) Adapter Plate
- B - (4) Expansion Bolts
- C - (1) 6mm Hexagon Wrench

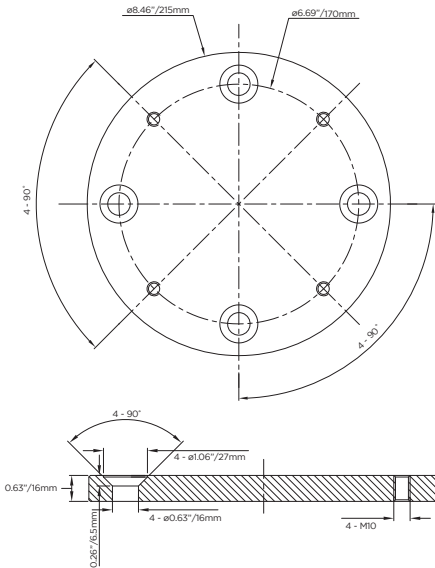


Final installation hardware should be determined by and professionally installed by a license contractor. See disclaimer on page 10.

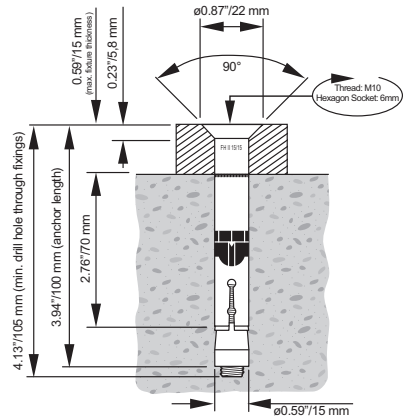
## DRILLING CONCRETE

- Drill (4) holes on concrete according to countersunk holes in diagram below for expansion bolts. Hold depth should be no less than 4"/100mm.

Adapter Plate Specifications



Expansion Bolt Specifications

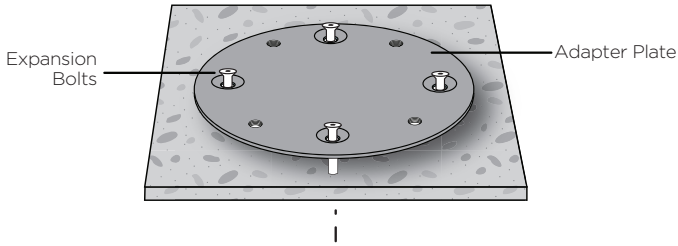


## BOLT ADAPTER PLATE

- Make sure all adapter plate holes align with drilled holes in concrete.
- Insert (4) expansion bolts into countersunk holes on adapter plate and tighten using hexagon wrench.

### NOTE:

- Concrete should be at least 6" thick (8" for rooftop applications).

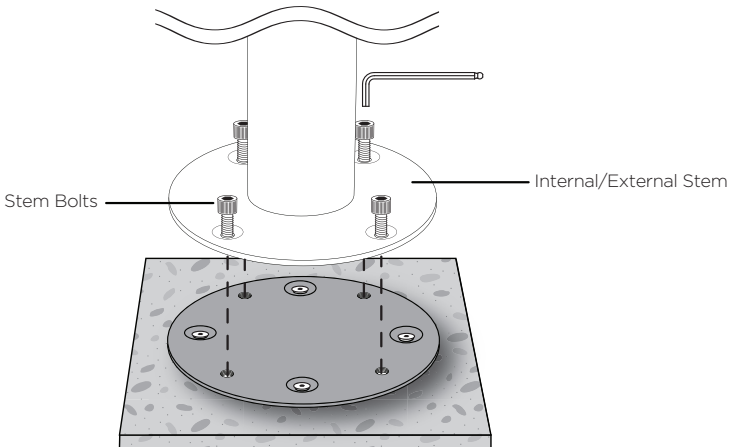


## BOLT INTERNAL/EXTERNAL STEM TO ADAPTER PLATE

- Align internal/external stem holes with adapter plate holes.
- Insert (4) stem bolts and tighten using hexagon wrench to secure.

### NOTE:

- Internal stem, stem bolts and hexagon wrench are included with Atlas, Astral, Solairs, Polaris, Orion styles.
- For Libra installation, external stem is sold separately.



---

## INSTALL UMBRELLA

---

- Slide umbrella mast over the newly installed internal/external stem.
- See your umbrella instruction manual for further assistance.

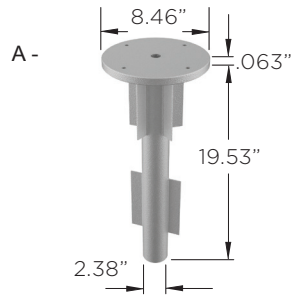
### REMOVAL:

- To remove your umbrella for seasonal storage or to move it to another adapter plate or in-ground fitting, simply undo stem bolts and remove umbrella from the adapter plate.

## MKG23 | IN-GROUND MOUNT KIT

In-Ground Mount Kit includes:

A - (1) In-Ground Fitting



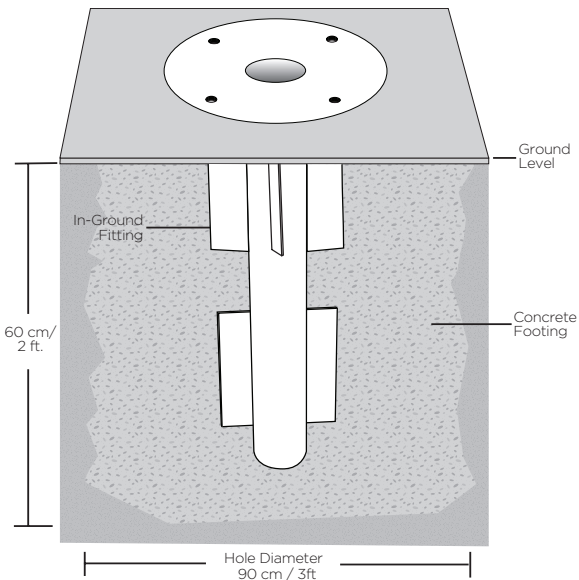
Final installation hardware should be determined by and professionally installed by a license contractor. See disclaimer on page 10.

### PREPARATION

- Dig an approximate 60 cm/2 ft. deep by 90 cm/3 ft. wide hole.
- Insert in-ground fitting and pour mixed concrete into hole around fitting. Make sure in-ground plate is level.

#### NOTE:

- Final hole size may vary based on soil conditions, water table and frost line, please refer to local building codes as needed.
- Do not get slurry in the screw threads. Either apply tape over the holes on both sides of the fitting or place the stem bolts in the threads and remove them when the concrete is almost set.

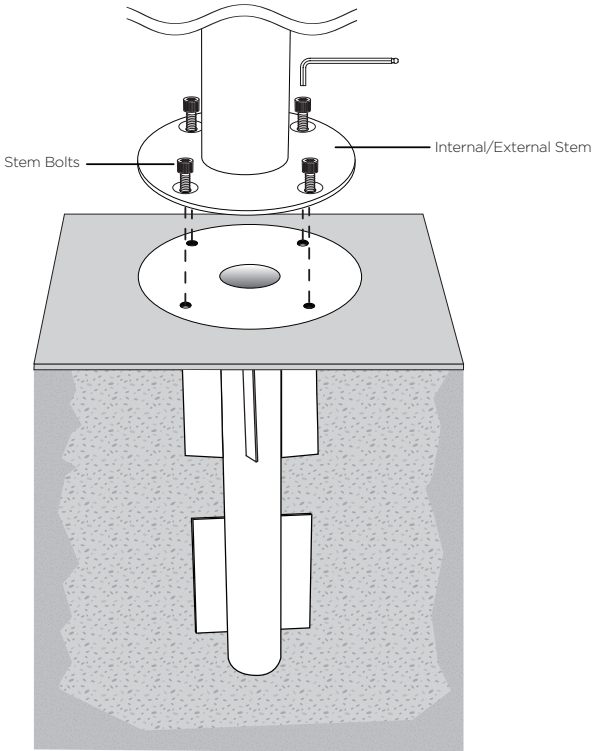


## BOLT INTERNAL/EXTERNAL STEM TO IN-GROUND FITTING

- Once concrete has cured, align internal/external stem holes with in-ground fitting holes.
- Insert (4) stem bolts and tighten using hexagon wrench to secure.

### NOTE:

- Internal stem, stem bolts and hexagon wrench are included with Atlas, Astral, Solairs, Polaris, Orion styles.
- For Libra installation, external stem is sold separately.



## INSTALL UMBRELLA

- Slide umbrella mast over the newly installed internal/external stem.
- See your umbrella instruction manual for further assistance.

### REMOVAL:

- To remove your umbrella for seasonal storage or to move it to another adapter plate or in-ground fitting, simply undo stem bolts and remove umbrella from the in-ground fitting.



---

## SAFETY AND PRECAUTIONS

---

- To reduce risk of personal injury in which a person is injured or harmed, and/or damage to personal property, read and follow the Owner's Manual prior to assembling and operating umbrella and base.
- Close and store the umbrella in windy conditions or when a storm approaches. Never allow the umbrella to flap in the wind; this could cause personal injury, damage to personal property, damage to umbrella and/or umbrella canopy. Do not use tilting function during windy conditions.
- Keep umbrella secured to umbrella base or mount kit at all times.
- Do not leave open umbrella unattended. If damage occurs, this is not covered by the warranty.
- When adjusting the umbrella, make sure that no person(s), item(s) or personal property are close to the umbrella. This is important to prevent injury or material damage.
- Do not allow children to play on or with umbrella or umbrella base.
- When adjusting or assembling the umbrella or umbrella base, make sure fingers, toes or any other parts of the body are clear from moving parts. Failing to do so may result in serious injury.
- Sufficient base weight must be used to secure umbrellas at all times. Please see base weight matrix at [www.shademakerusa.com](http://www.shademakerusa.com) for required minimum weight for free-standing applications.

## WARRANTY

Shademaker manufactures all its shade styles from the finest aluminum alloys to ensure the strength, durability, and integrity of each and every style. We pride ourselves as a totally vertical operation. This means that we manufacture and produce over 90% of the components used in our products from the raw state. We can monitor every stage of the manufacturing process and maintain a consistent level of quality. Our only business and focus is shade and shade type products. Our goal is that each and every Shademaker style will exceed your expectations at a competitive price that will make you smile.

Replacement parts can be ordered under warranty at no charge, if found that the damage is a manufacture defect.

Upon receipt, please check to ensure you have received all of the parts.

### 1 Year Limited Warranty

- Adapter plate
- In-ground fitting

**What Is NOT Covered:** Failure caused by unreasonable or abusive use, or failure caused by neglect of reasonable and necessary care, and any modification to product are not covered by this warranty.

This warranty covers return freight of any warranted product only for the first year. This warranty gives you specific legal rights and you may have other rights which vary from state to state. If the powder coat finish flakes, bubbles, peels or loses color; Shademaker will re-finish or replace the defective bases at its discretion.

Closeout and promotional items sold by the dealer as is are not covered by this warranty. Labor charges are not covered under this limited warranty. Normal wear and tear is not covered under this limited warranty.

**Caution:** Seaside and indoor pool use, salt & chlorides can accumulate on the powder coat finish, leading to finish failure. Failure or neglect to make needed cleanings may cause paint to blister, and such failure will void limited warranty.

**Irregularities in Production Process:** The possibility of "Irregularities" in the product surface may occur during the production process. However, these irregularities do not reduce the quality of the product. Shademaker monitors every stage of production to ensure a clean and consistent appearance on every part.

**Rust:** Rust is a natural part of the aging process of all steel based materials and is therefore NOT considered a defect. Steel plate bases are designed to require minimum maintenance. Bases should be kept clean. Do not let dirt build up on the bases. Never leave bases standing in water. To keep your bases looking their best, you may wish to store them when not in use for an extended period of time.

**International Returns:** If an item is found to be under warranty Shademaker shall only be responsible for ground shipping charges to the location of the product within the continental United States and Canada. Any duties, express, international or special shipping charges are at the expense of the retail dealer or consumer.

**IMPORTANT RESTRICTION FOR PRODUCTS WARRANTY SERVICE:**

Shademaker restricts warranty service for products to the country where Shademaker or its authorized retail dealers originally sold the product. It is our policy to continuously improve designs, materials and manufacturing methods in order to provide you with the finest products. Therefore, variations in specifications, materials, prices, styles and finishes may be made without notice.

**THE SELLER DISCLAIMS ANY IMPLIED WARRANTY OF MERCHANTABILITY.**

Those filing warranty claims outside 1 year or warranty, will be responsible for all shipping, handling, and freight charges on all claims to Shademaker in Baldwin Park, CA. All warranty claims must be submitted with the original proof of purchase, date of purchase, name of dealer, and the description of the damage. The Shademaker warranty is not transferable. Shademaker reserves the right to repair, replace, and/or redesign any product that is returned under a warranty claim.

**DISCLAIMER:**

The MK mounts kits should only be professionally installed by a licensed contractor duly qualified to perform the installation. Shademaker assumes no liability and expressly disclaims any responsibility for injuries or damages arising from or related to the failure of buyer to have the MK mount kit installed by a licensed professional contractor. Shademaker makes no warranty except as expressly stated herein, and no warranty except Title to Materials furnished shall be implied with respect to the order.

**DISCLAIMER OF WARRANTIES:**

Except as herein expressly set forth, this product is sold "as is" and "with all faults", and without any implied warranty of merchantability -- which warranty is hereby expressly excluded. This product is sold without any implied warranty of fitness for a particular purpose -- which warranty is hereby expressly excluded. Moreover, there are no warranties which extend beyond the description on the face hereof.



13401 Brooks Drive  
Baldwin Park, CA 91706  
p 626.338.8810  
f 626.338.8816  
info@shademakerusa.com

**shademaker.com**

©2022 Shademaker. All rights reserved.

SMOM-MK23-122722